

# D30XL Line

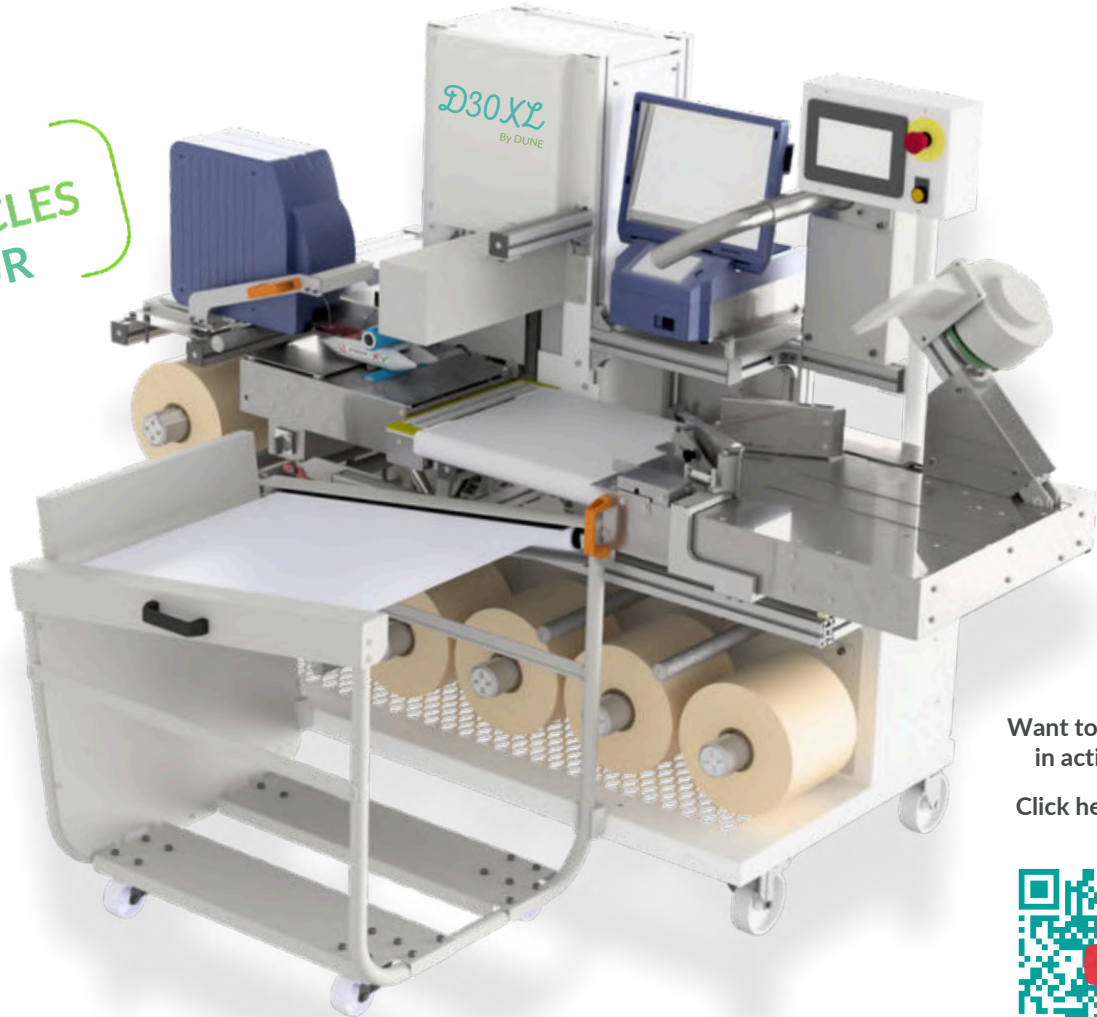
## Bread Packing, Simplified




Packaging process

A solution designed for all bread types – loaves, baguettes and bundles.

Up to  
1800 CYCLES  
/ HOUR



Want to see it  
in action?

Click here 



Tailored for baguettes, loaves and multipacks of bread, the **D30XL** combines adaptability and efficiency to meet all your bread packing and labelling needs.

## KEY FEATURES

- ✓ Compact
- ✓ Multi-Purpose
- ✓ Integrated Labelling
- ✓ Easy to Install
- ✓ Quick Format Change

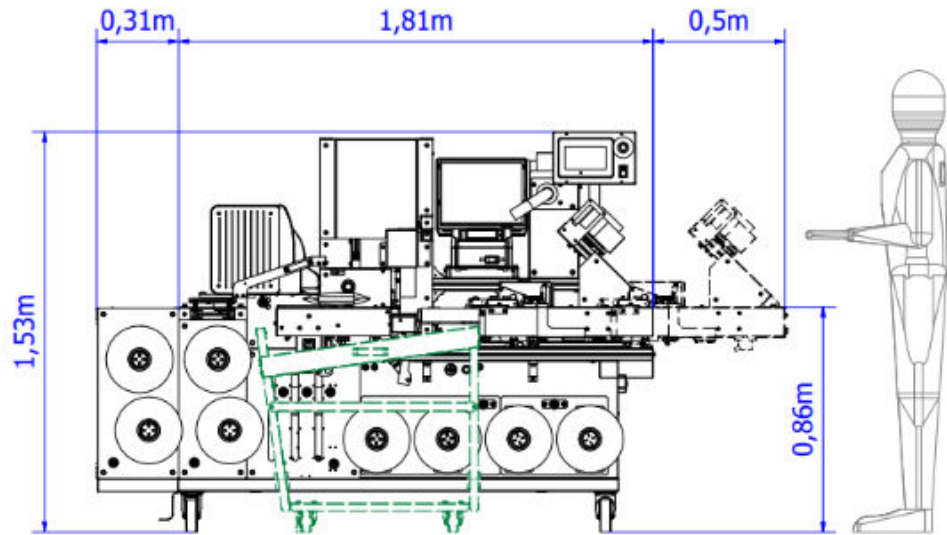


# DUNE<sup>®</sup> packaging solutions

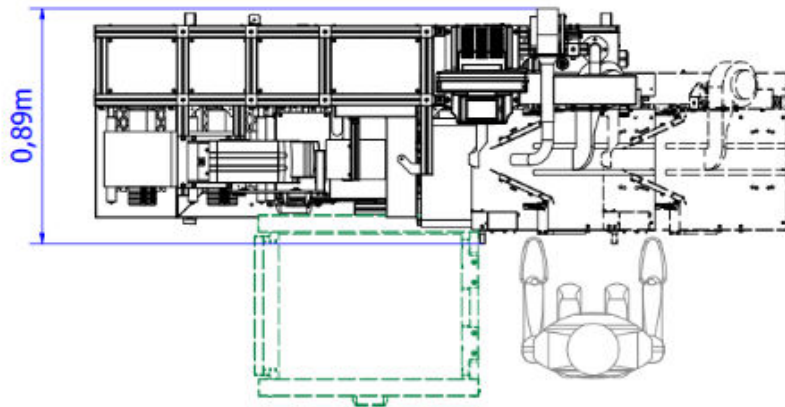
# Layout Plan

Dimensions :

Front view



Top view



## Technical specifications :

|                  |                              |                      |
|------------------|------------------------------|----------------------|
| Power supply :   | 230 VAC / 50 Hz / 1300 W max |                      |
|                  | Single-phase plug connection |                      |
| Compressed air : | Pressure                     | Air Consumption Rate |
|                  | 6 bars                       | 100 liters/min       |
| Weight           | ≈ 480 kg                     |                      |

## VISIODUNE packaging formats :

|                |               |
|----------------|---------------|
| Range Width :  | 140 to 320 mm |
| Range Length : | 240 to 740 mm |

Explore our full range of solutions online.



<https://dune-sa.fr>  
Internationnally patented systemMinimal

## Contact-us

DUNE SAS  
24 Av. Urbain le Verrier  
69800 Saint-Priest - FRANCE  
+33 (0)4 72 81 63 43  
contact@dune-sa.fr